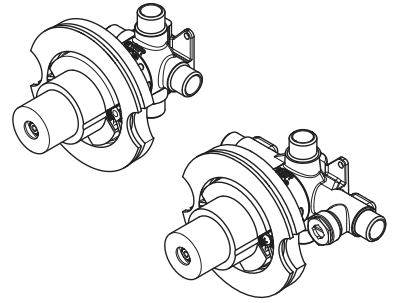


Thermostatic Tub and Shower Valve

TX9-310A Finish(XX)

TX9-340A Finish(XX)



Specifications

- Thermostatic Cartridge and Valve Only

Features

- Ceramic Disc Cartridge
- Integrated Temperature Limit Stop
- Temperature and Volume Control
- Requires Compatible Thermostatic Trim
- Integral Stops (340A Only)
- Pforever Warranty®

Code Compliance

Pfister products are designed and manufactured in compliance with the following standards and codes:

- IAPMO Certified
- CSA B125 Certified
- ASME A112.18.1
- ASSE 1016

Dimensions

